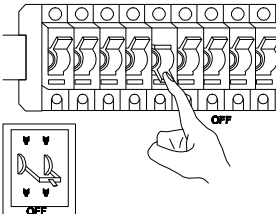
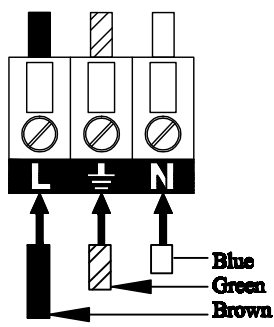
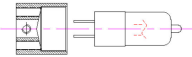
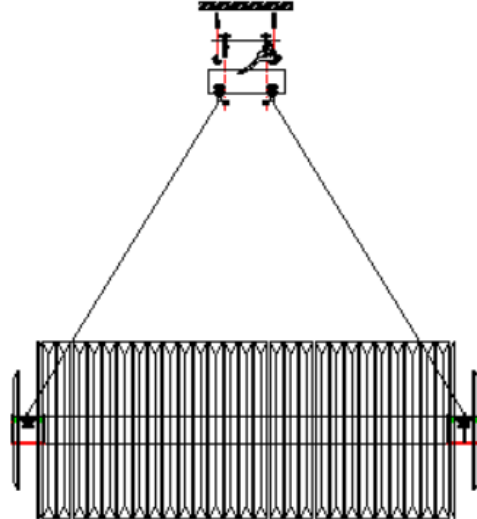
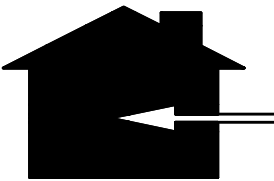
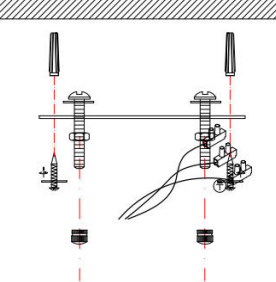
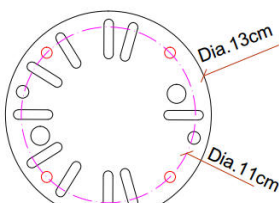
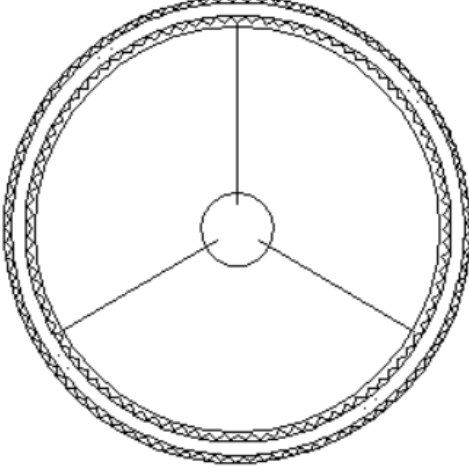
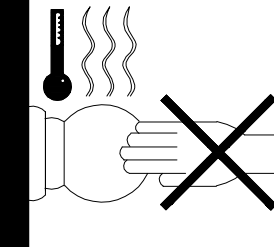



# INSTALLATION INSTRUCTION

## 10242/60

 <p>OFF</p> <p>OFF</p>	<p>Lamp size: Dia.60 x Ht.30cm Size of hanging bar: Dia.13cm Gap of the holes for fixing the hanging bar: 11cm</p>	 <p>Blue Green Brown</p>
<p>LED-G4 bulb,7W,28pcs 3000K,warm light</p> 		
  <p>Dia.13cm Dia.11cm</p>		
<p>Plan of the hanging bar</p> <p>The size of the hanging bar is Dia.13cm,the hole distance on the hanging bar is 11cm as shown.</p>		

### Installation instruction for this item:

- 1.Remove the cover and put the lamp on a clean place, then install the lamp;
- 2.The lamp is limited to used 60W bulb;
- 3.Fix the lamp body on the hung loop by the chain .

### Warning:

- 1.Turn off the main power at the circuit breaker before installing the lamp in order to prevent possible shock;
2. Please wear gloves when installing the lamp;
3. Don't exceed the rated voltage 240V;
4. Don't install on haven't finished ceiling and loose wood ceiling;
5. Don't use corrosive liquor to clean it ,just as acid liquor and alkaline liquor,please use soft cloth;
- 6.The lamp is made of glass ,installing carefully.